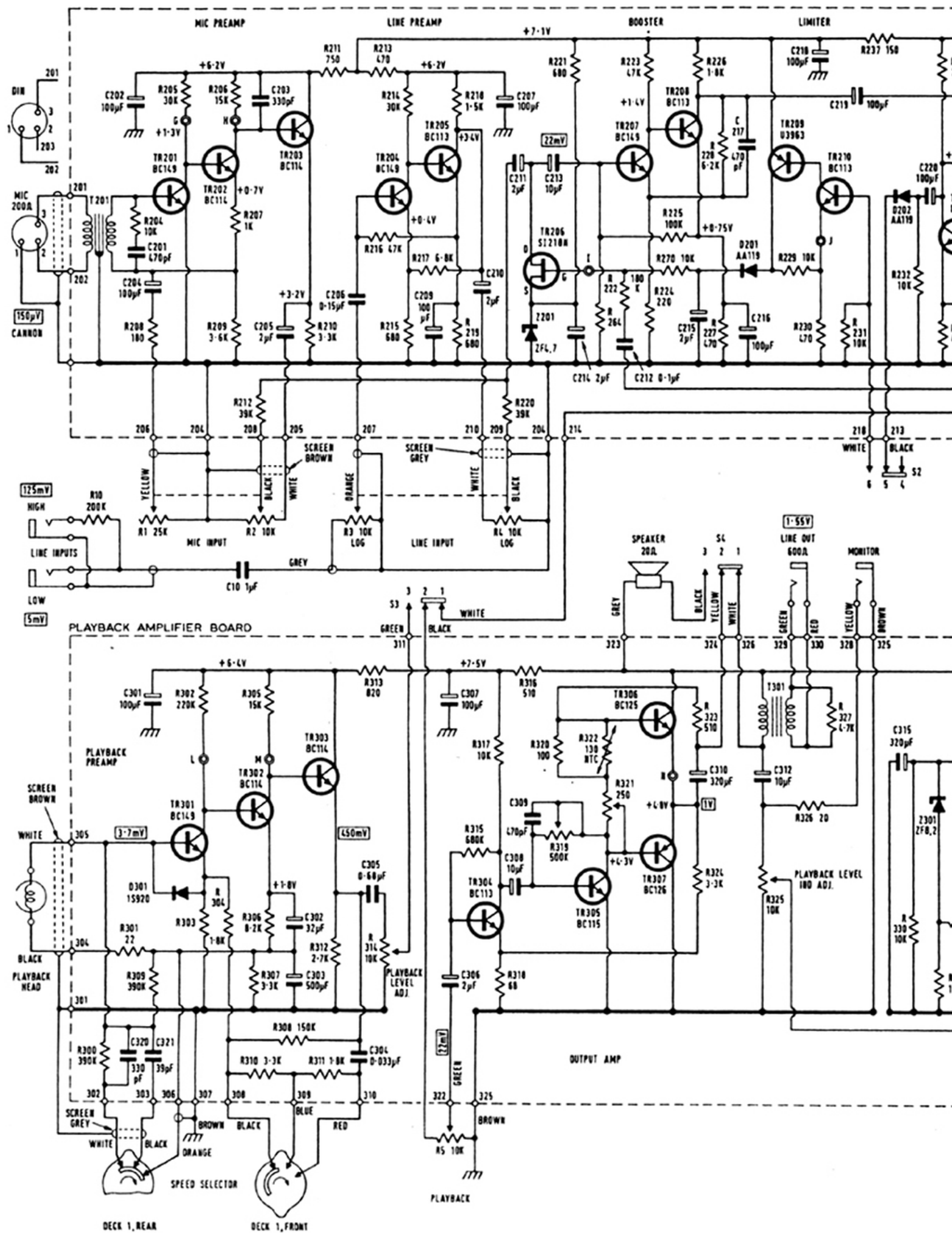
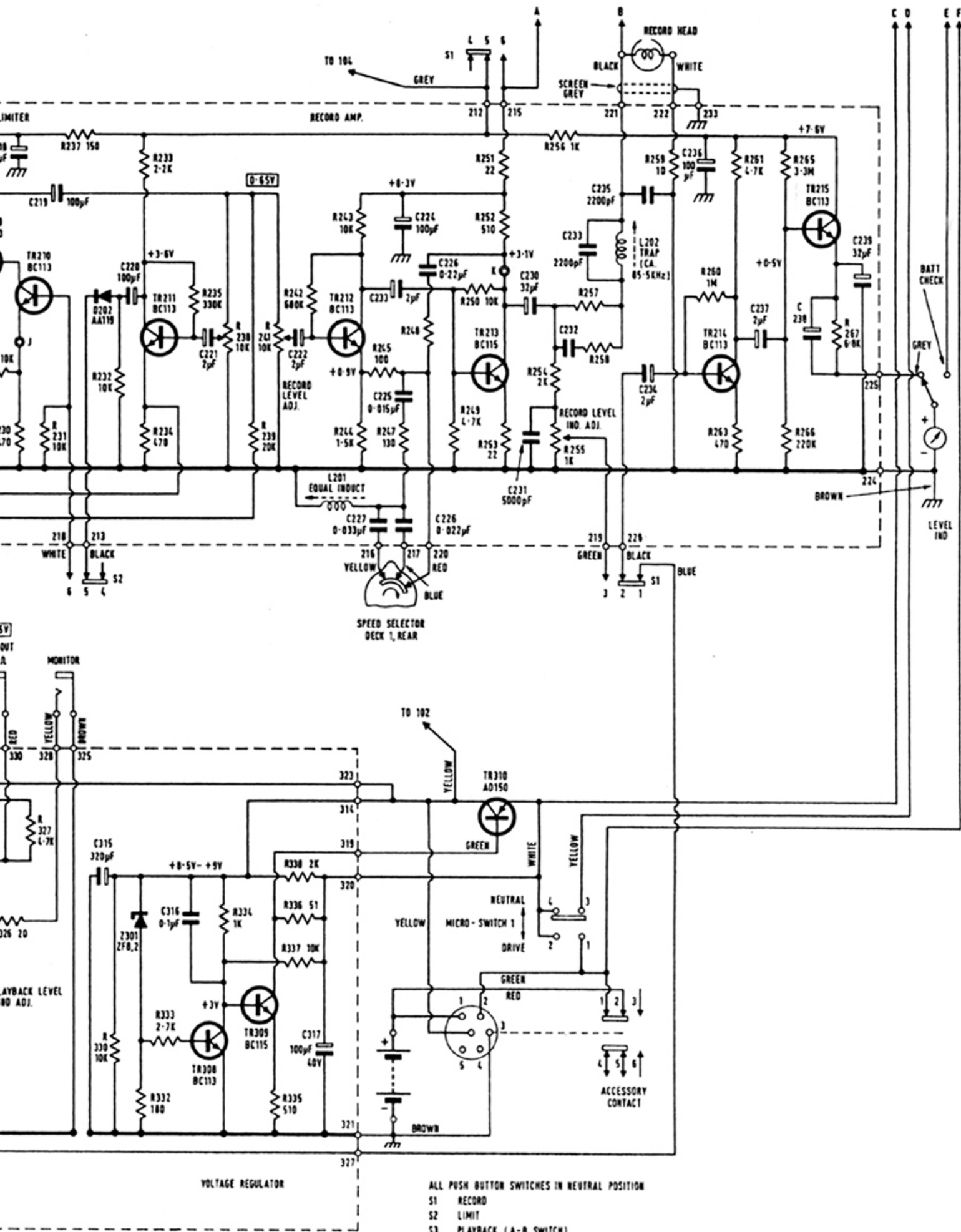


Tandberg T-11 amplifier board





ALL PUSH BUTTON SWITCHES IN NEUTRAL POSITION

- S1 RECORD
- S2 LIMIT
- S3 PLAYBACK (A-B SWITCH)
- S4 SPEAKER

START COUNTING THE CONTACTS ON THE TOP SIDE OF THE SWITCH SPEED SELECTOR AT 4.75CM/S

ALL DC-VOLTAGES, EXCEPT MOTOR CONTROL BOARD, MEASURED WITHOUT SIGNAL.
ALL SIGNAL VOLTAGES MEASURED AT OPTIMUM RECORDING LEVEL (400Hz)